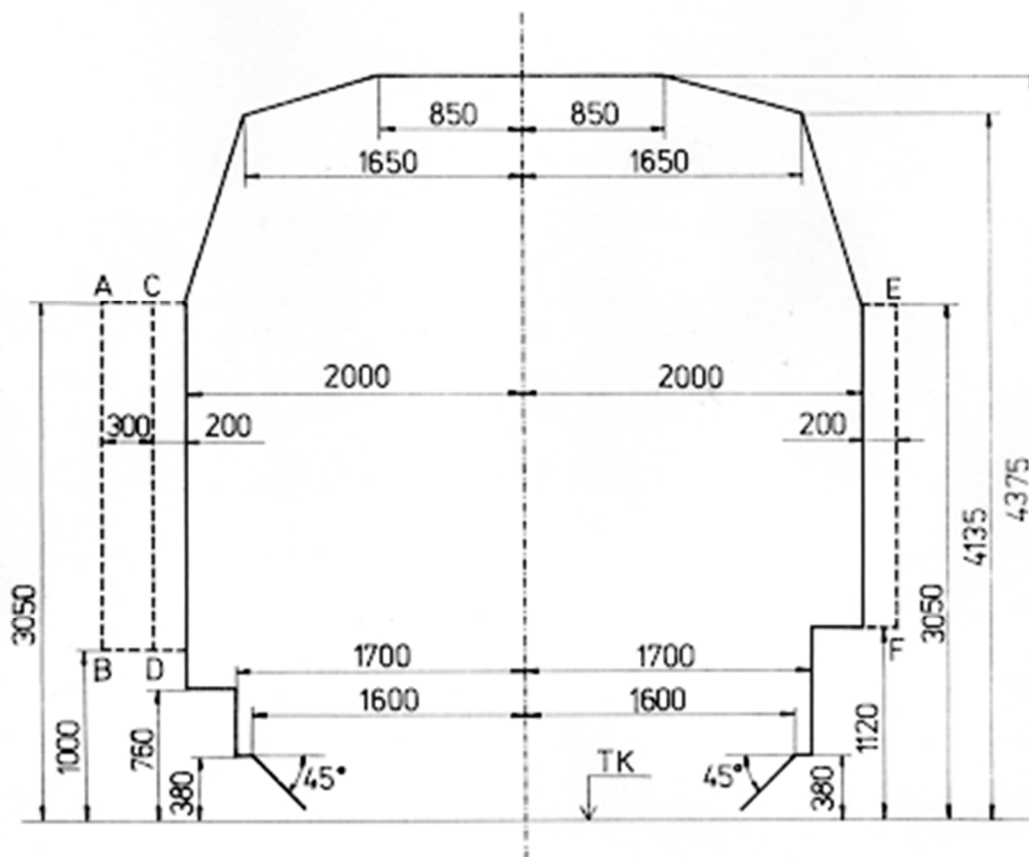


Annex "I"

Profile of the clearance Z-GB, Z-GC, Z-GČD and Z-GCZ3 and free walkable and manipulation space

1. Profile of the clearance Z-GB and free walkable and manipulation space (applies to straight track and curve with the radius greater than 250 m)



In figure:

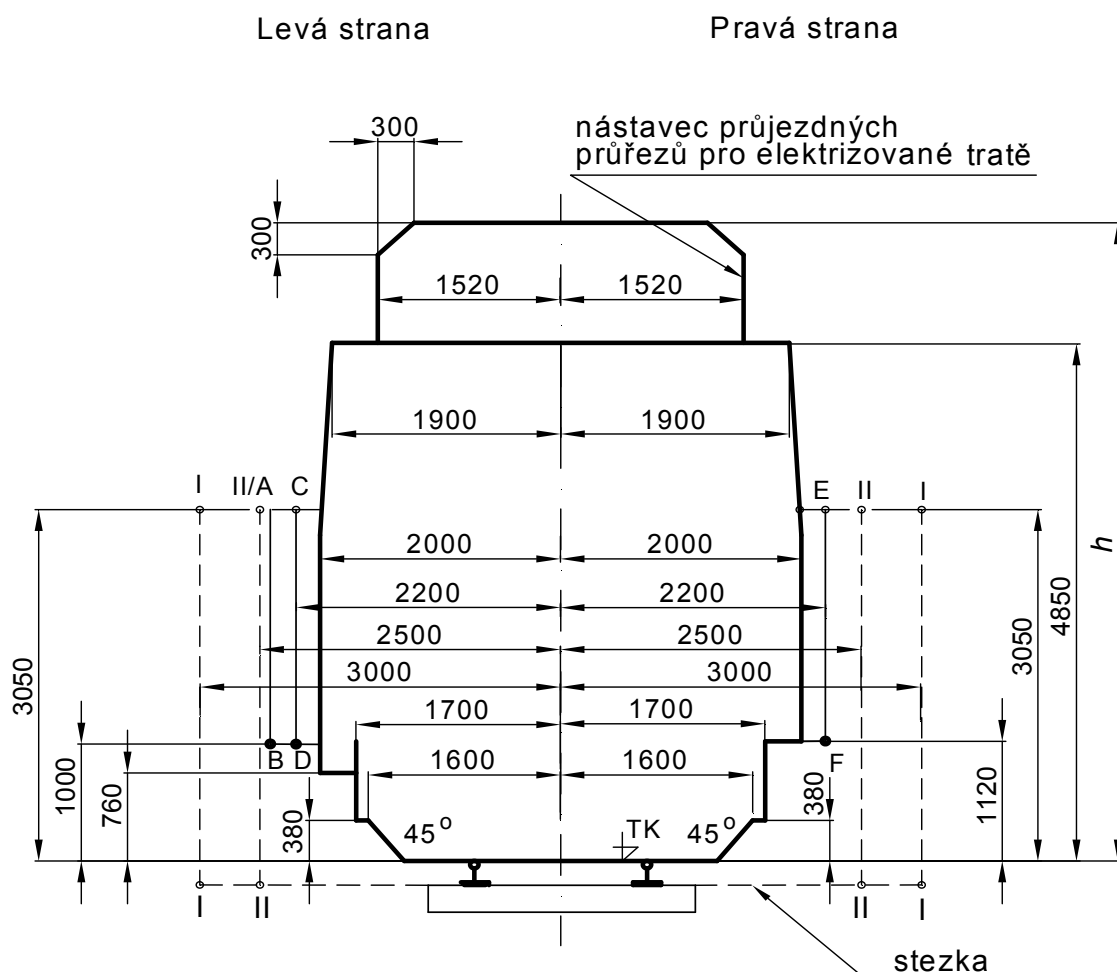
Left side applies to

- track rails (in railway stops as well),
- main rails in stations and turnouts,
- transport rails for passenger trains,
- lateral free space

Right side applies to

- other rails in stations and turnouts,
- lateral free space,

2. Profile of the clearance Z-GC and free walkable and manipulation space (applies to straight track and curve with the radius greater than 250 m)



In Fig. 1

Left side applies - track rails (in railway stops as well),
to

- main rails in stations and turnouts,,
- transport rails for passenger trains,
- lateral free space

A - B to equipment on the outer side of the outer rail and constructions,

C - D to equipment between rails,

Right side
applies to

- other rails in stations and turnouts,

- lateral free space,

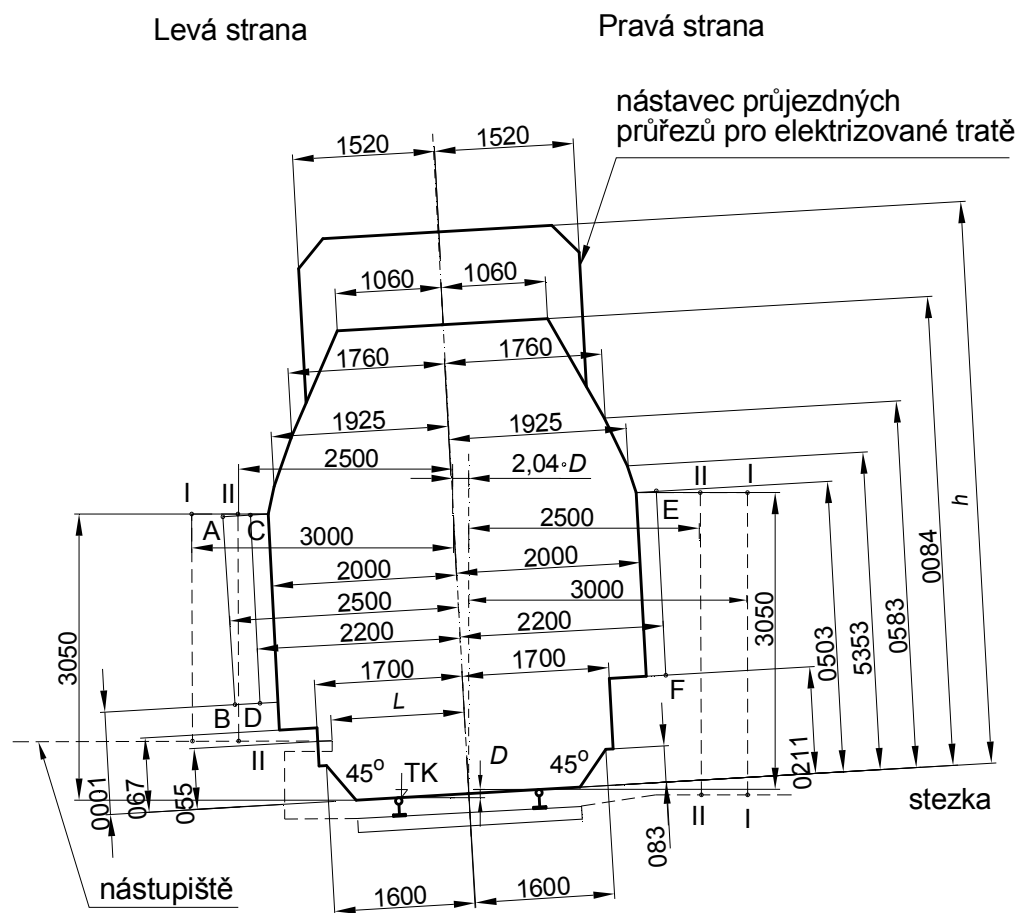
E - F for all constructions and equipment.

I - I free walkable and manipulation space (basic),

II - II free walkable and manipulation space (narrowed),

h - height of the extension of the clearance for electrified tracks.

2. Profile of the clearance Z-GČD and free walkable and manipulation space (applies to straight rail and curve with the radius greater than or equal to 250 m)



In Fig. 2:

Left side applies - track rails (in railway stops as well) to

- main rails in stations and turnouts,
- transport rails for passenger trains,
- lateral free space

A - B to equipment on the outer side of the outer rail and constructions,
C - D to equipment between rails,

Right side applies to

- other rails in stations and turnouts,

- lateral free space,

E - F for all constructions and equipment.,

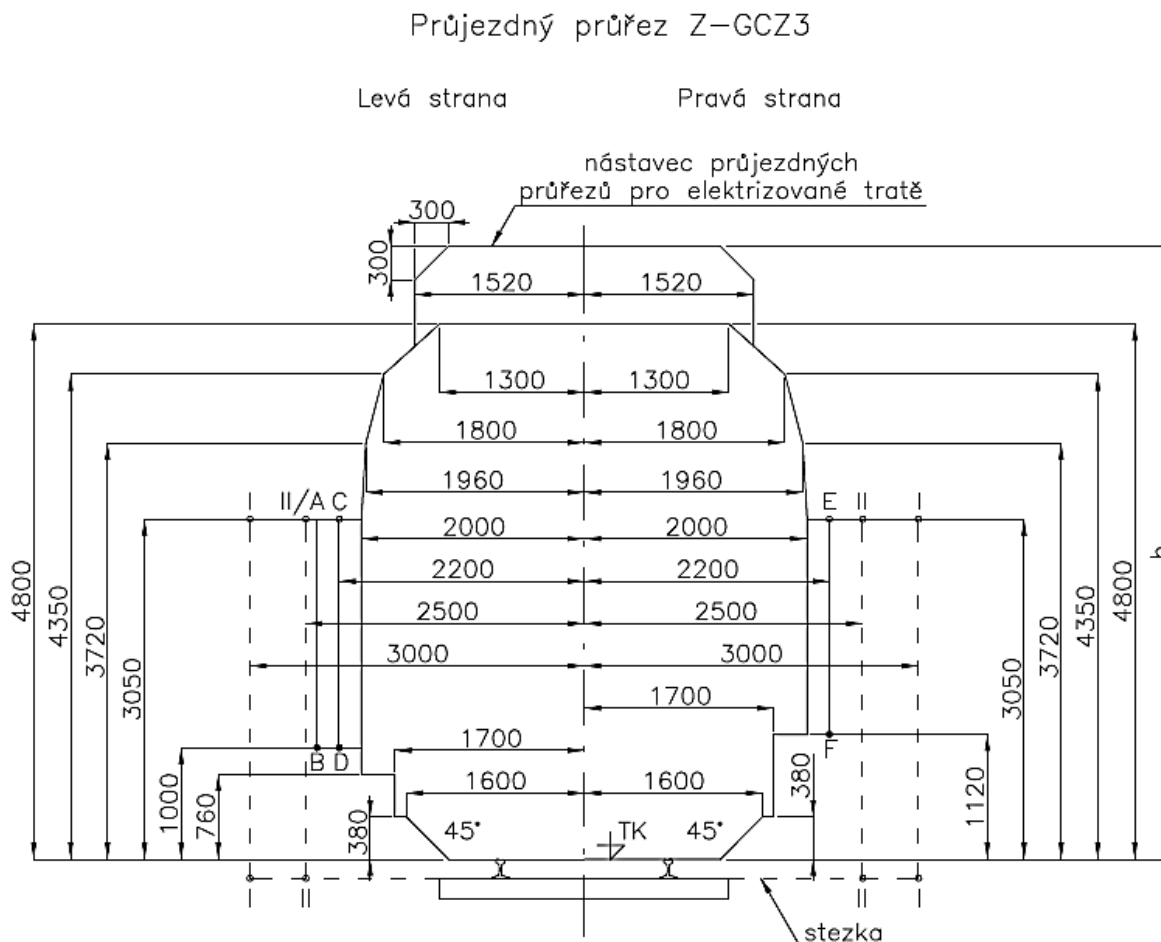
I - I free walkable and manipulation space (basic),

II - II free walkable and manipulation space (narrowed),

L - distance of the platform edge with the height of 550 mm above TK (ČSN 73 4959),

h - height of the extension of the clearance for electrified tracks.

3. Profile of the clearance Z-GCZ3 and free walkable and manipulation space (applies to straight rail and curve with the radius greater than or equal to 250 m)



In Fig. 3:

Left side applies - track rails (in railway stops as well),
to

- main rails in stations and turnouts,
- transport rails for passenger trains,
- lateral free space

A - B to equipment on the outer side of the outer rail and constructions,

C - D to equipment between rails,

Right side applies to

- other rails in stations and turnouts,
- lateral free space,
- E - F for all constructions and equipment.

I - I free walkable and manipulation space (basic),

II - II free walkable and manipulation space (narrowed),

h - height of the extension of the clearance for electrified tracks

TK - top of rail string